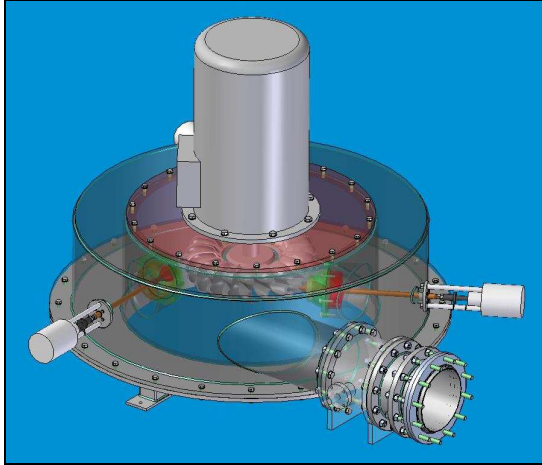


CAMPINA

Country:	Romania
Customer:	Neptun SA
Year of Award:	2005
Scope of Supply:	Pelton Turbine for drinking water , Generator, Valve, Control System



TECHNICAL DATA – TURBINE/GENERATOR

No. of Units	1
Output	71 kW
Head	49,9 m
Flow	0,164 m ³ /s
Speed	755 rpm
Runner Diameter	631 mm
Voltage	420 V