

Country:

Bulgaria

Customer:

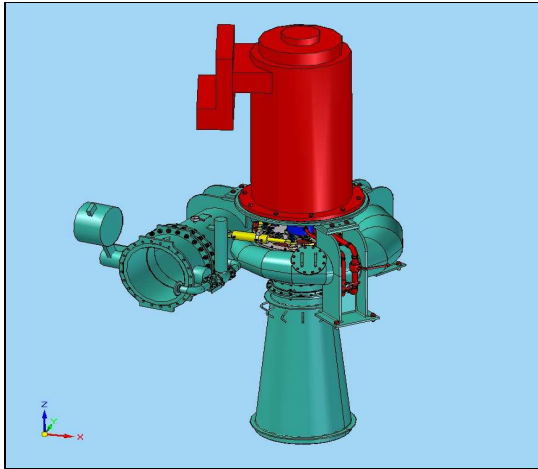
Risk Engineering Ltd.

Year of Award:

2008

Scope of Supply:

Vertical Francis Turbine, Generator, Throttle Valve, Control system



TECHNICAL DATA – TURBINE/GENERATOR

No. of Units	1
Output	1,4 MW
Head	65,8 m
Flow	2,4 m ³ /s
Speed	750 rpm
Runner Diameter	615 mm
Voltage	400 V