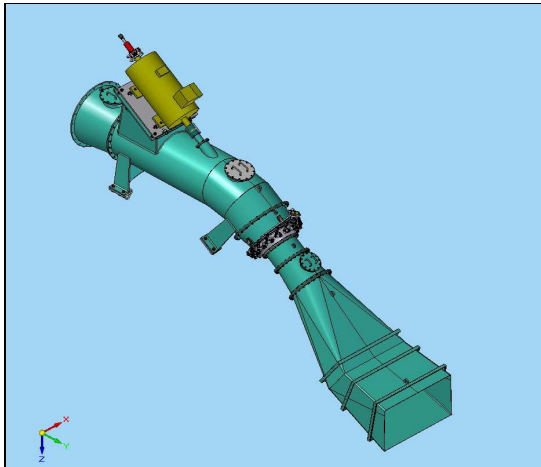


## **BUCHAREST**

<b>Country:</b>	Romania
<b>Customer:</b>	HOLDING Aktor – Athena S.A.
<b>Year of Award:</b>	2008
<b>Scope of Supply:</b>	3 Kaplan Turbines, Generators, Hydraulic Power Units, Switchgears and Control System



### **TECHNICAL DATA – TURBINE/GENERATOR**

<b>No. of Units</b>	3
<b>Output</b>	150 kW each
<b>Head</b>	5 m
<b>Flow</b>	3,34 m <sup>3</sup> /s
<b>Speed</b>	380 rpm
<b>Runner Diameter</b>	850 mm
<b>Voltage</b>	420 V