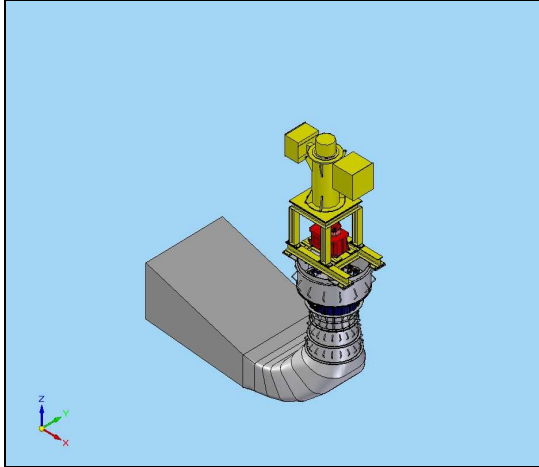


ALVITO

Country:	Portugal
Customer:	EFACEC Engenharia S.A.
Year of Award:	2008
Scope of Supply:	2 Vertical Kaplan Turbines, Gear Boxes, Hydraulic Power Units



TECHNICAL DATA – TURBINE/GENERATOR

No. of Units	2
Output	1875 kW
Head	9,6 m
Flow	20,3 m ³ /s
Speed	258 rpm
Runner Diameter	1800 mm
Voltage	6300 V